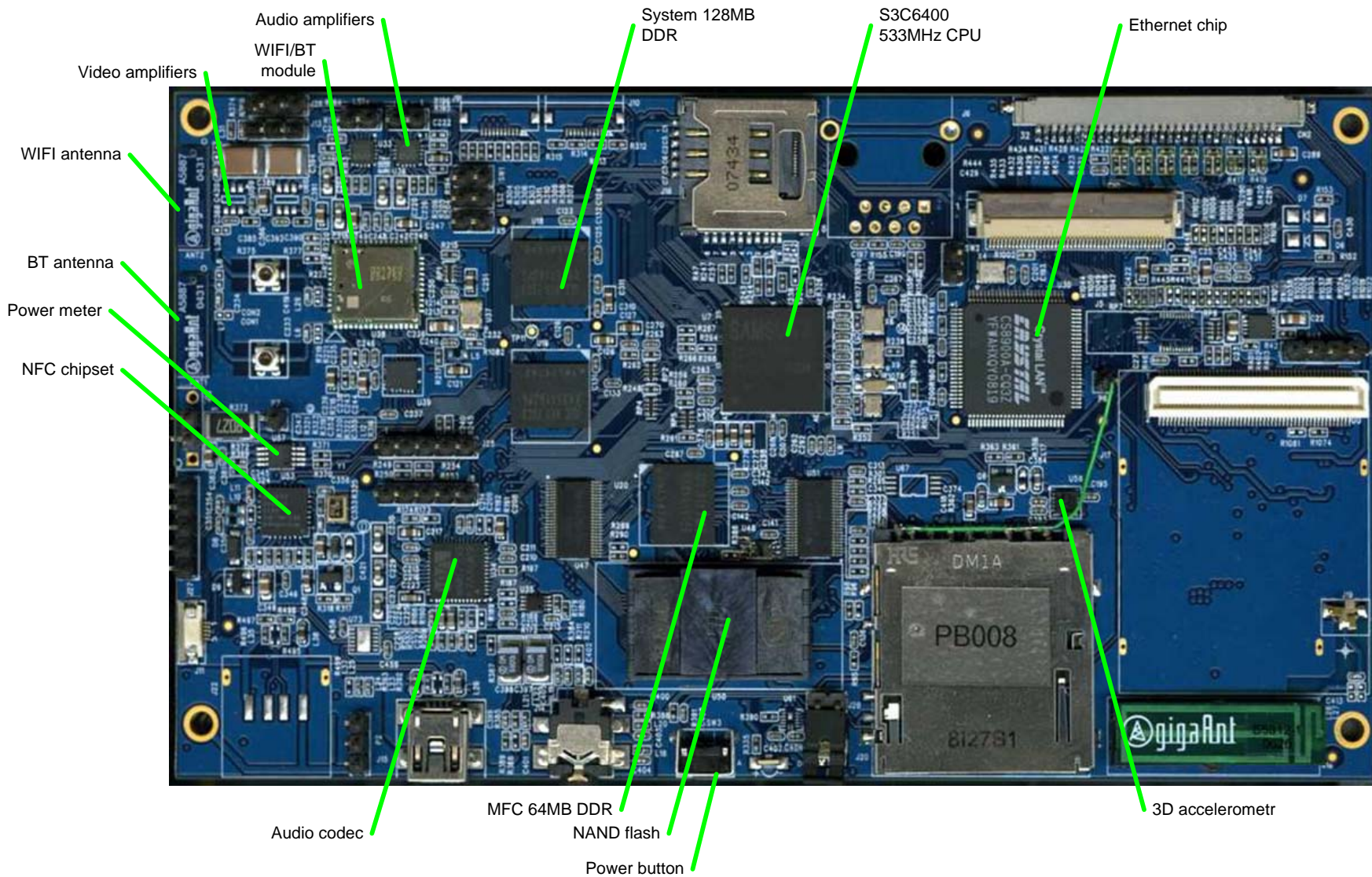


Functional diagram 6410		
Pegasus 1.68H	Mgizmo family	9563325
MGR Ltd.		
PDK	08-24-2009	FBDC1030

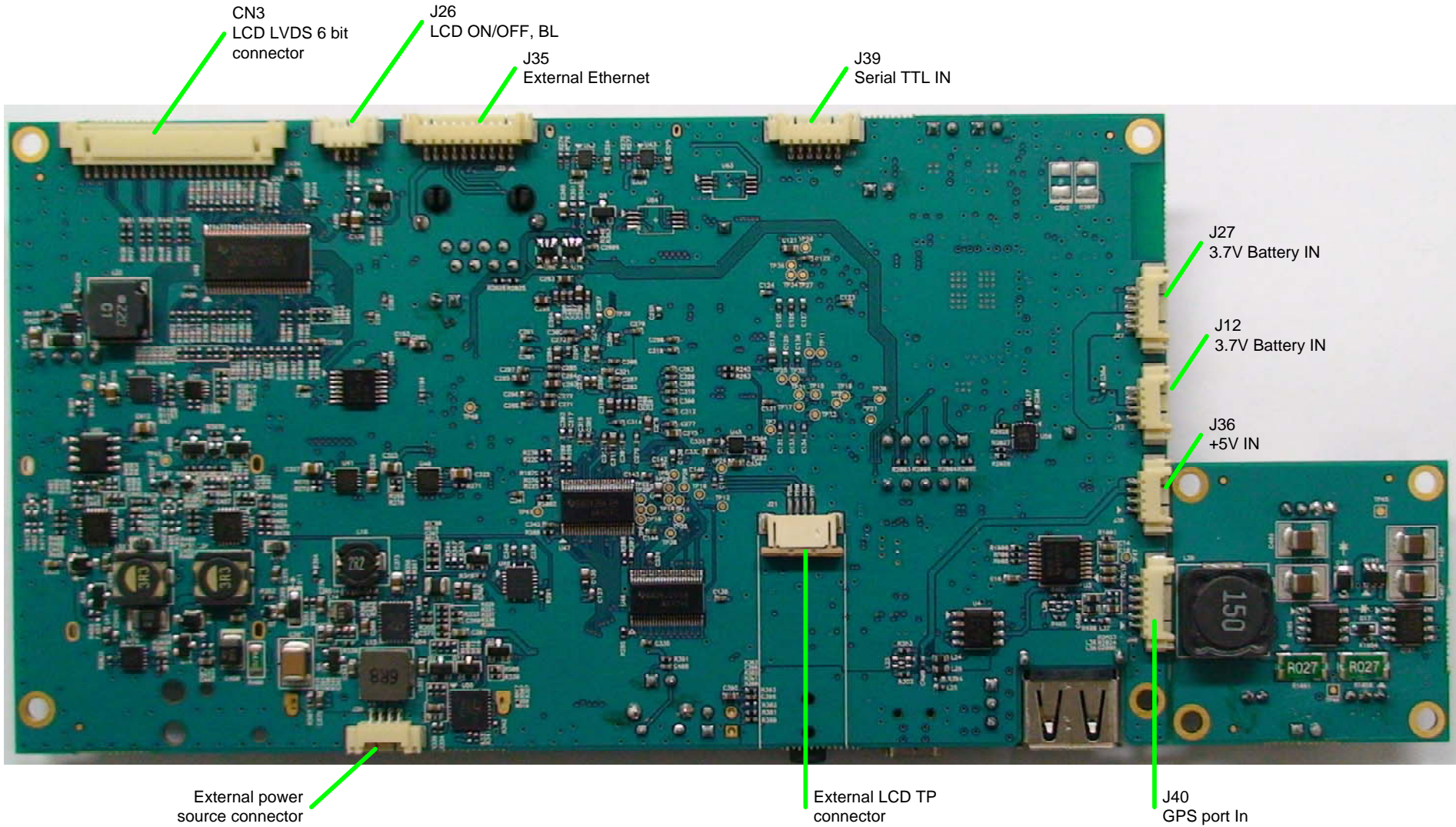


Components map

Pegasus v1.01B	Mgizmo family	9563325
----------------	---------------	---------

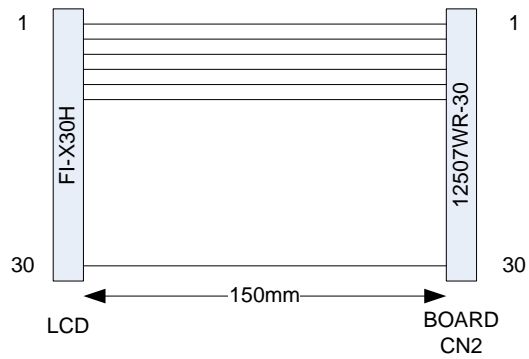
MGR Ltd.

PDK	12-29-2008	FBDC1030
-----	------------	----------



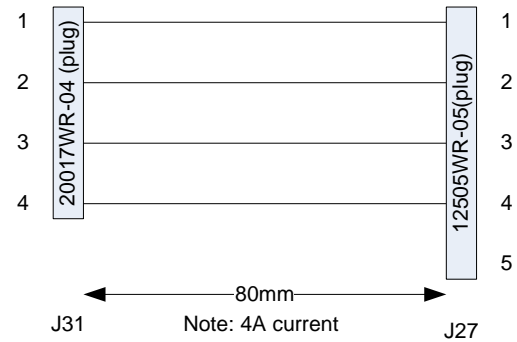
Components map		
Pegasus 1.68H	Mgizmo family	9563325
MGR Ltd.		
PDK	08-24-2009	FBDC1030

10.2_LVDS cable

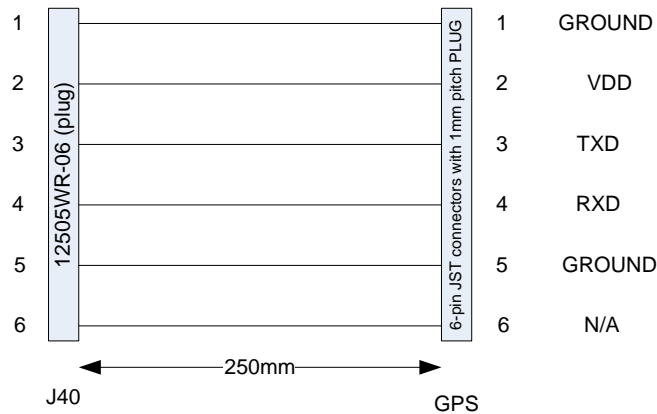


VCC	1	1	VCC
VCC	2	2	VCC
VCC	3	3	VCC
U/D	4	4	U/D
L/R	5	5	L/R
GND	6	6	GND
GND	7	7	GND
Rin0-	8	8	Rin0-
Rin0+	9	9	Rin0+
VSS	10	10	VSS
Rin1-	11	11	Rin1-
Rin1+	12	12	Rin1+
VSS	13	13	VSS
Rin2-	14	14	Rin2-
Rin2+	15	15	Rin2+
VSS	16	16	VSS
CLKIN-	17	17	CLKIN-
CLKIN+	18	18	CLKIN+
VSS	19	19	VSS
Rin3-	20	20	Rin3-
Rin3+	21	21	Rin3+
VSS	22	22	VSS
VLED	23	23	VLED
VLED	24	24	VLED
GLED	25	25	GLED
GLED	26	26	GLED
NC	27	27	NC
NC	28	28	NC
ADJ	29	29	ADJ
DTH	30	30	DTH

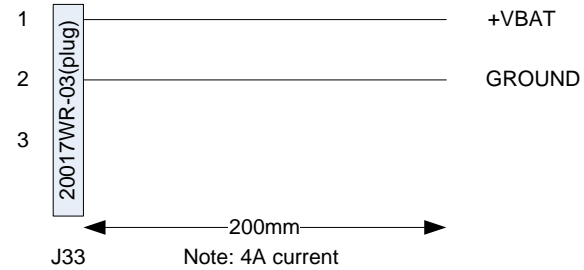
MainPower_3.7V cable



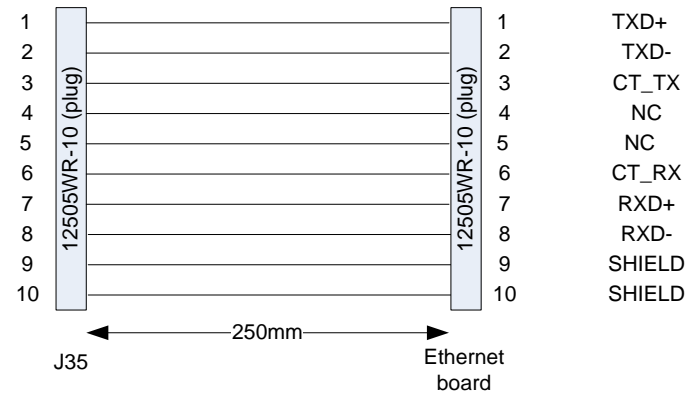
GPS_Serial cable



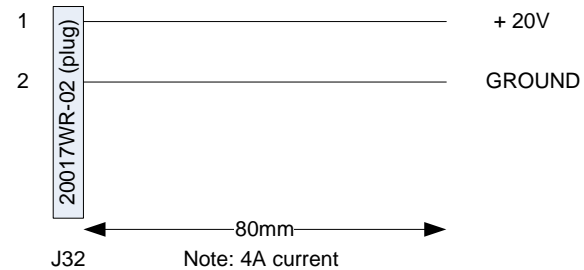
Battery cable



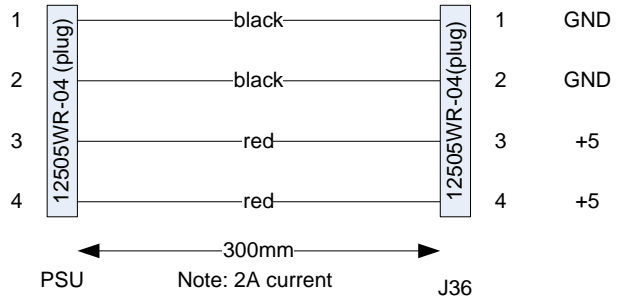
Ethernet_adapter cable



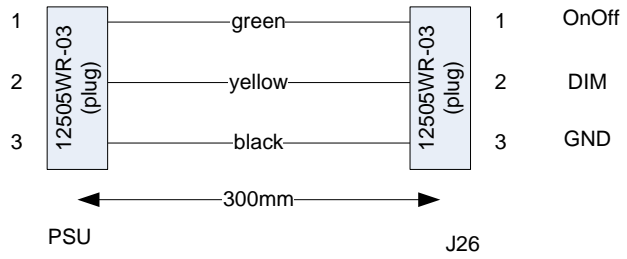
Charger_input cable

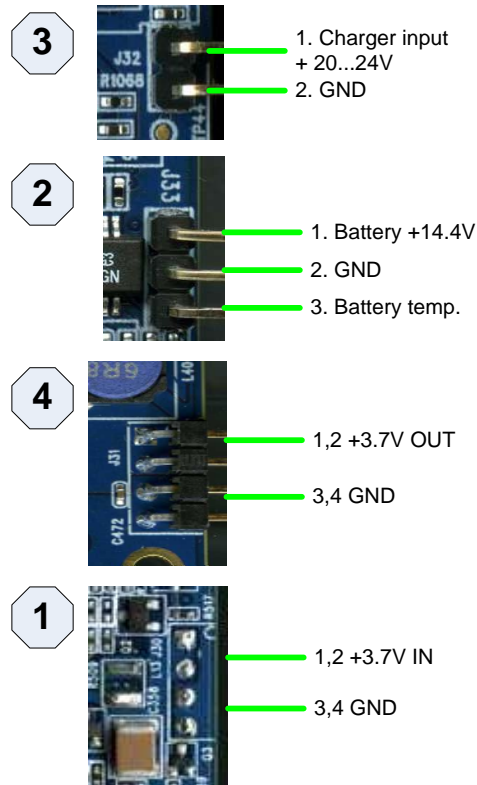
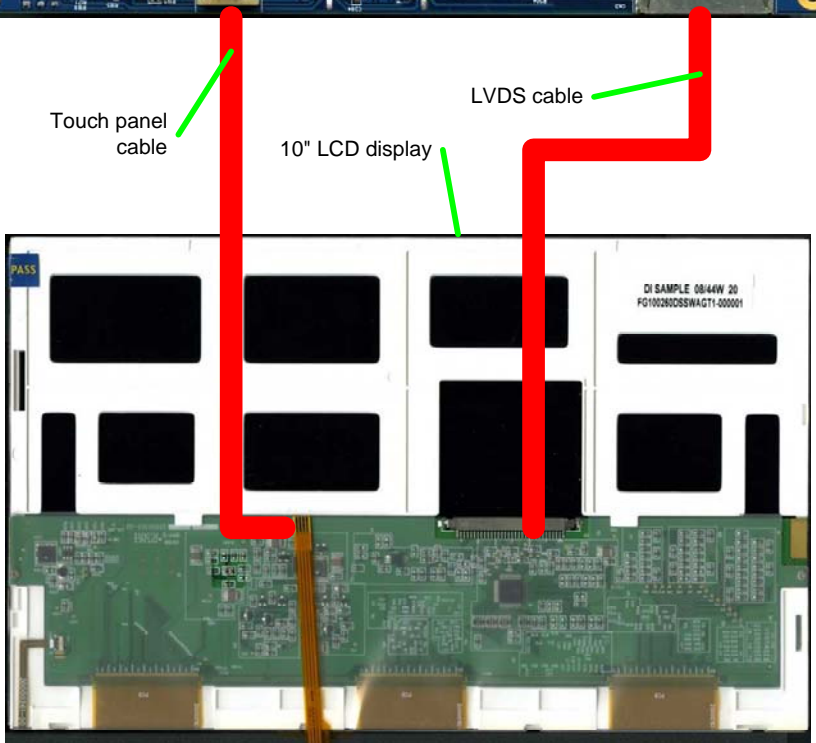
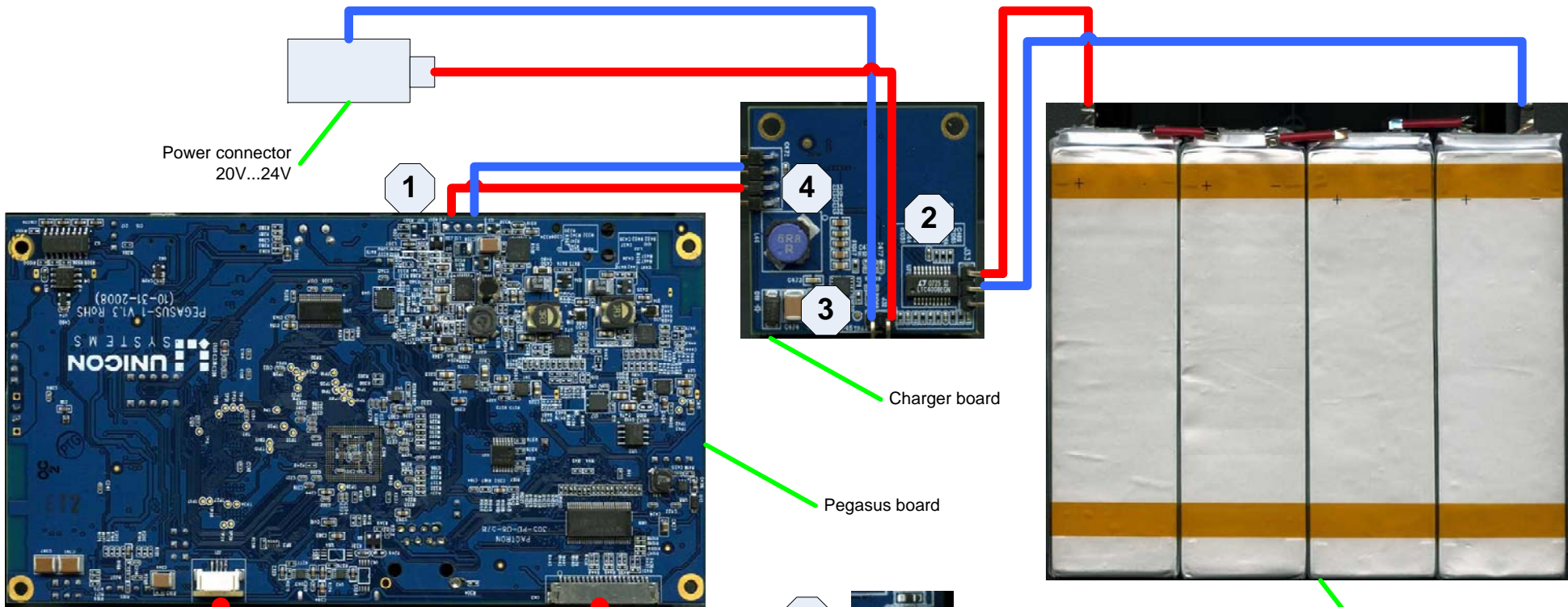


PegasusPower_5V cable

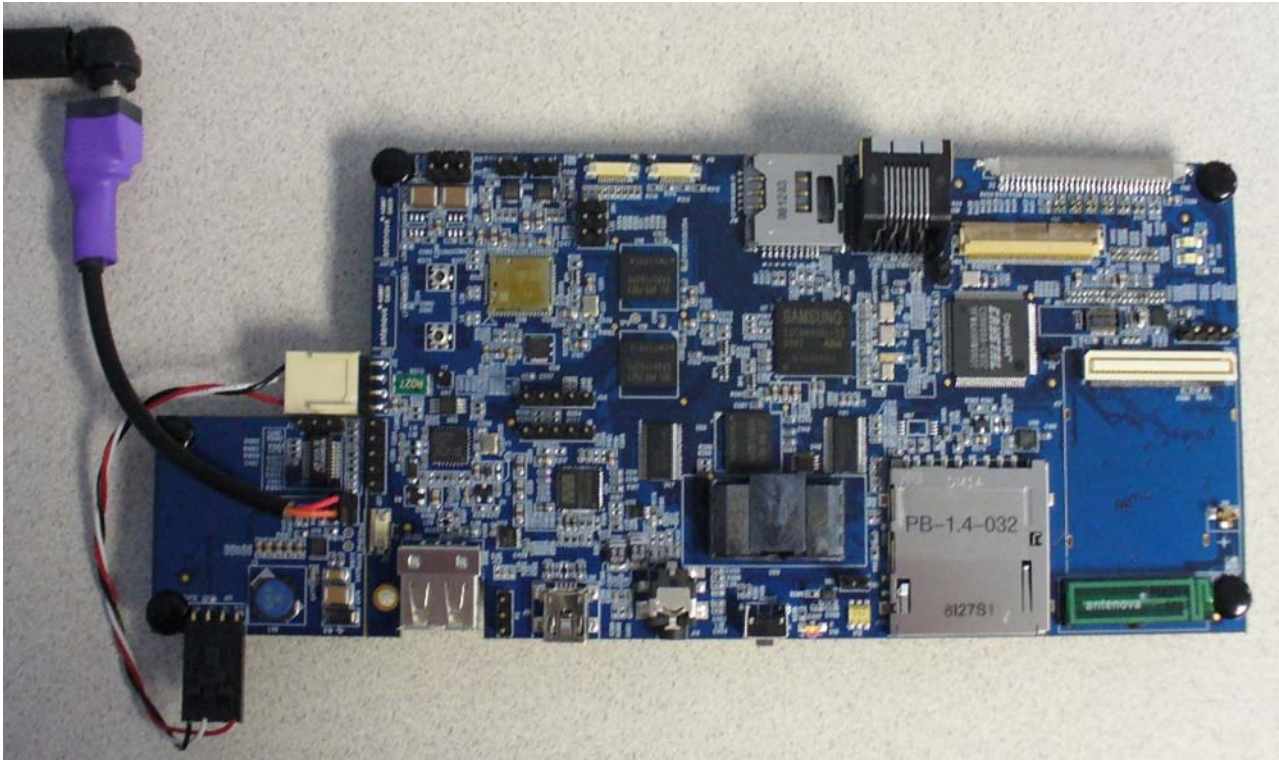


Backlight_OnOff_Dimm cable

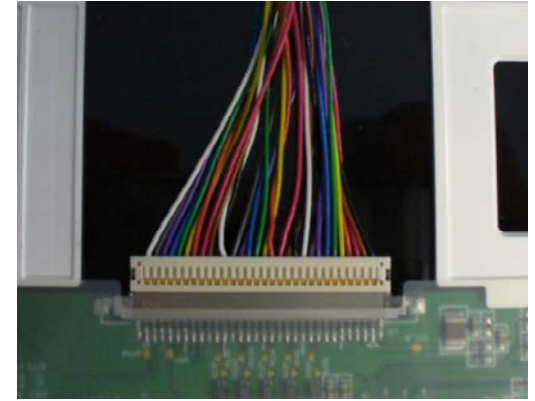




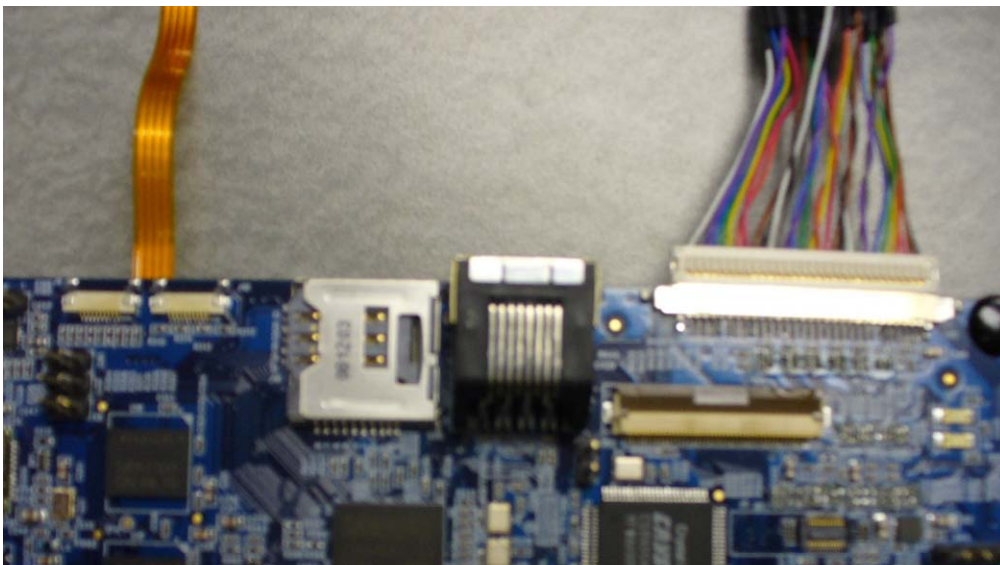
10" PDK		
Pegasus v1.01B	Mgizmo family	9563325
Unicon Systems Inc.		
PDK	12-29-2008	FBDC1030



Connect Charger Adapter (22V) and Board Power (3.8V). Please check polarity.

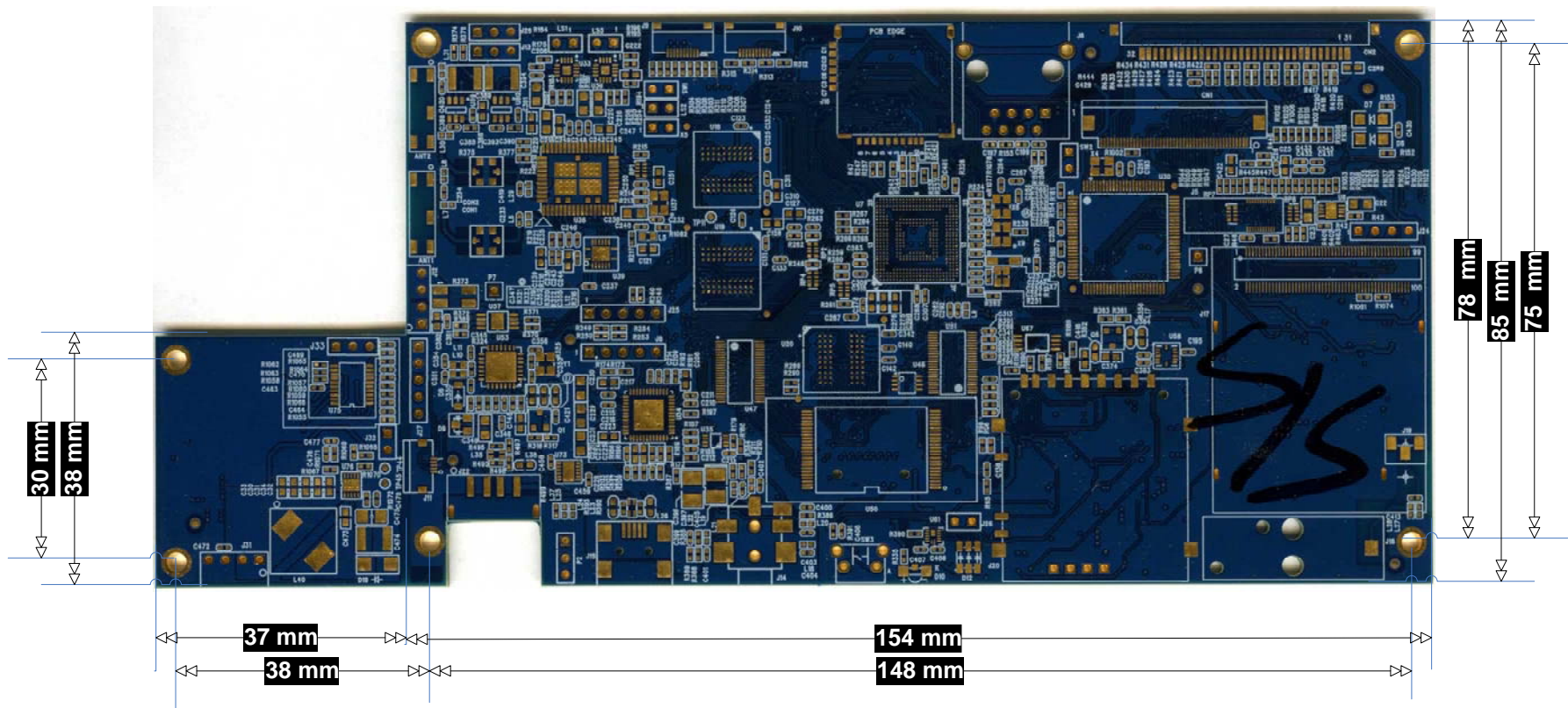


Connect LVDS cable to 10" LCD.



Connect Touch Panel and LVDS connector.

10" PDK		
Pegasus v1.01B	Mgizmo family	9563325
Unicon Systems Inc.		
PDK	12-29-2008	FBDC1030



Dimensions

Pegasus
v1.01B

Mgizmo family

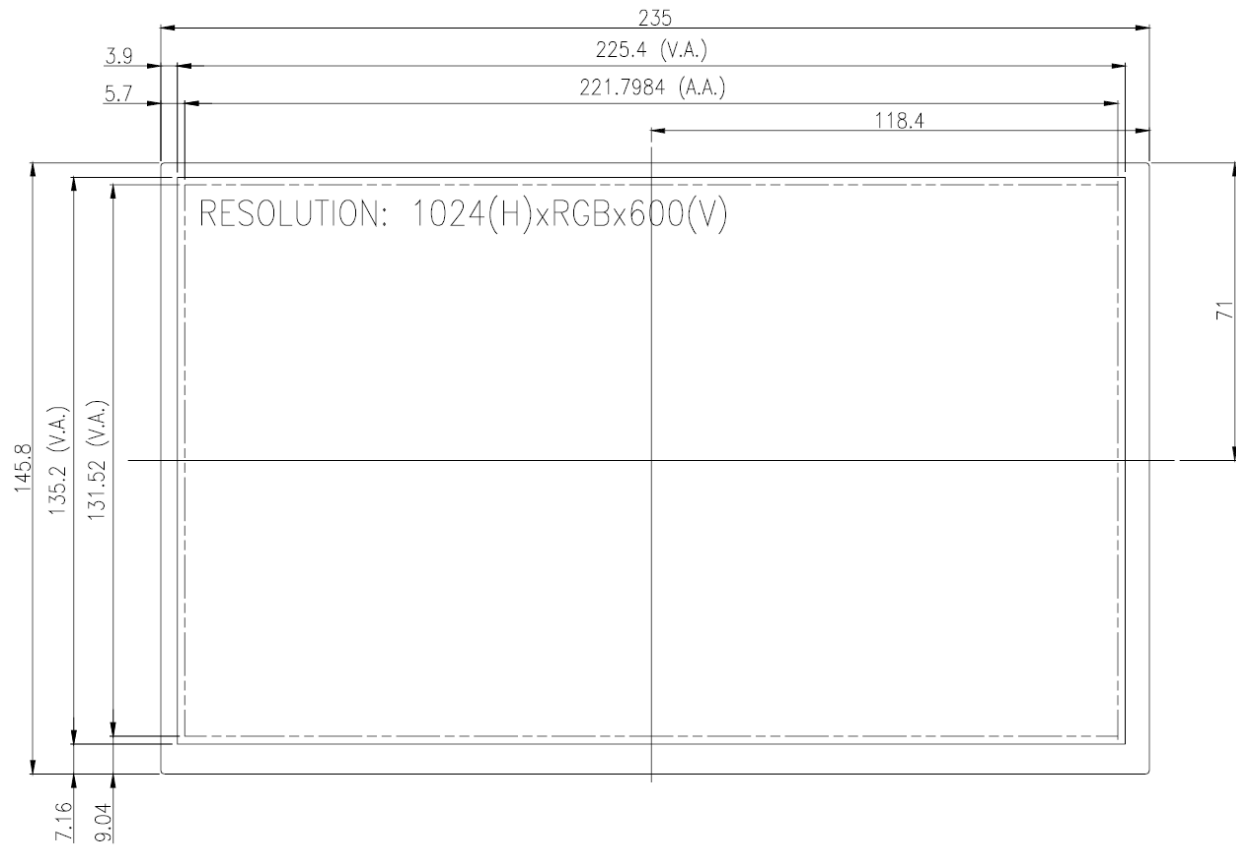
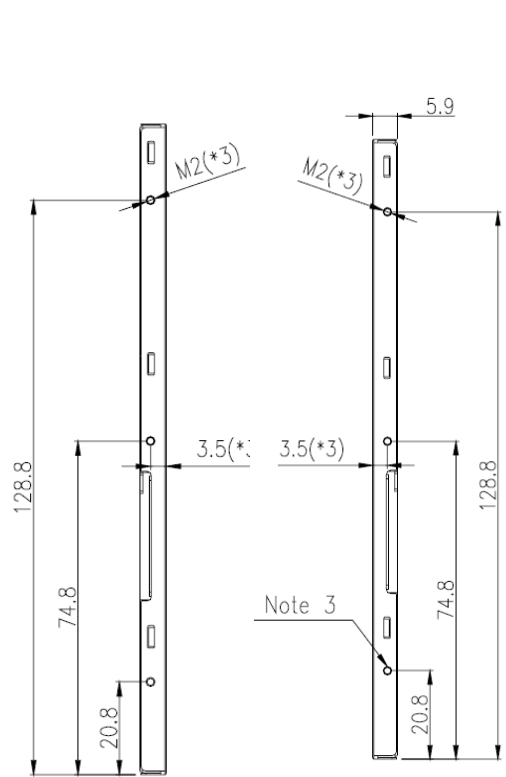
9563325

Unicon Systems Inc.

PKD

02-10-2009

FBDC1030



10.2" LCD		
Pegasus v1.01B	Mgizmo family	9563325
Unicon Systems Inc.		
PDK	12-29-2008	FBDC1030

